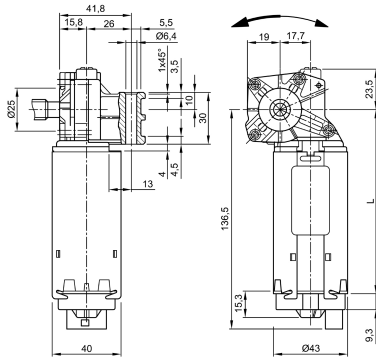


Design Data	
Commutation	Brushed
Direction of rotation	Bi-directional
Bearing type	A: Sleeve - B: Sleeve

Performance data		
Rated voltage [V]	U_N	12
Nominal torque [Nm]	M_N	1.50
No-load speed [min^{-1}]	n_0	145.0
Nominal power [W]	P_N	16.6
Nominal current [A]	I_N	6.0
Nominal force [kN]	F_N	1.50
Duty cycle	s3	

0321 BL



Sensor data	
Pulses	0
Output channels	0

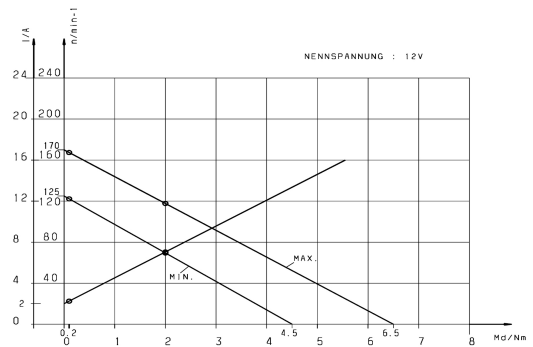
Other data	
Gear ratio	29/1
Gear wheel material	
Suppression components	5,5 μ H, 47nF, (0,47 μ F)
Enclosure class	IP40
Weight [kg]	0.880

Remarks: 1 start worm

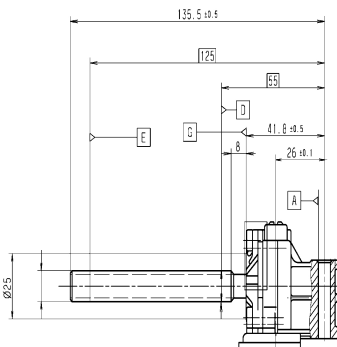
Motor picture



Characteristic curves

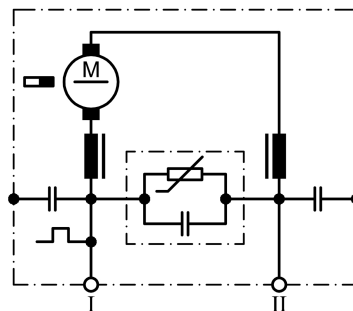


Output shaft drawing (W), Wiring diagrams (S) and Connector layout (K)



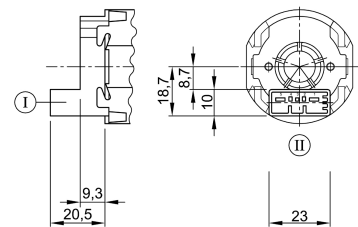
Output spindle: 7 / 16 Stub ACME RH

S 93



I Terminal 1
 II Terminal 5

K 220



Connector TYCO C-208-15621 (Z) mating with:
 Connector housing 1379217-3 & cover
 1379218-2
www.tycoelectronics.com