

Design Data	
Commutation	Brushed
Direction of rotation	Bi-directional
Bearing type	A:ball - B:sleeve

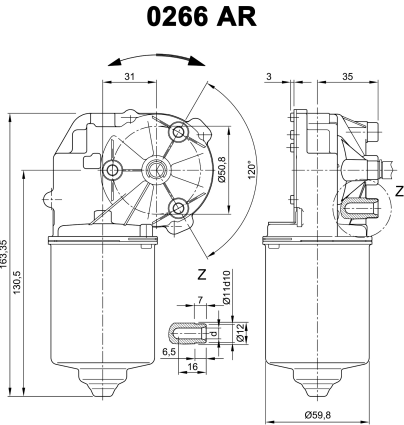
Performance data		
Rated voltage [V]	U_N	24
Nominal torque [Nm]	M_N	4.00
No-load speed [min^{-1}]	n_0	64.0
Nominal power [W]	P_N	24.4
Nominal current [A]	I_N	4.0
Nominal force [kN]	F_N	0.00
Duty cycle		s1

Sensor data	
Pulses	0
Output channels	0

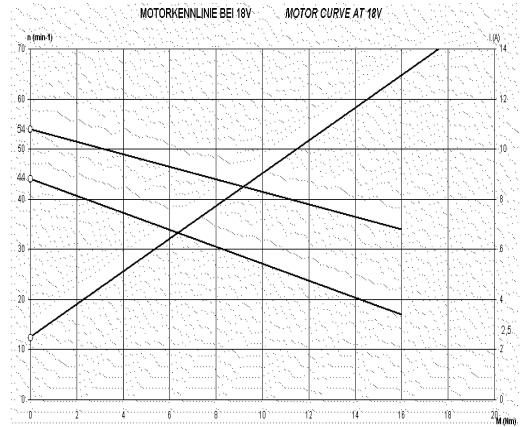
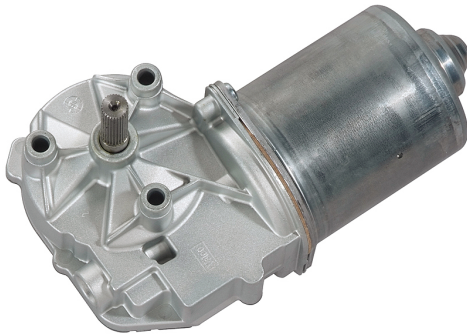
Other data	
Gear ratio	69/1
Gear wheel material	plastic
Suppression components	6 μ H, 1nF
Enclosure class	IP 30
Weight [kg]	1.216

Remarks: d = for thread-forming screw M6 DIN ISO 965-2

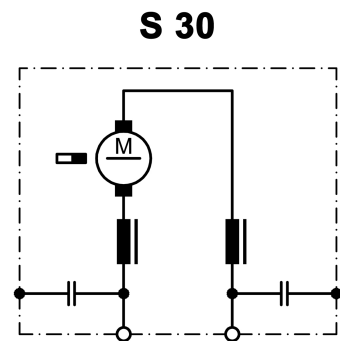
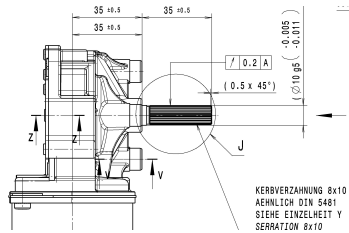
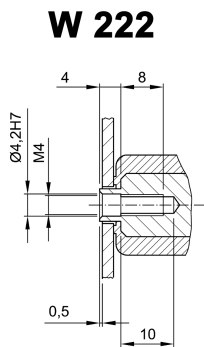
Characteristic curves



Motor picture



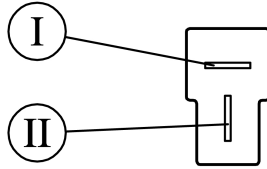
Output shaft drawing (W), Wiring diagrams (S) and Connector layout (K)



! Only for connection of encoder

Output shaft drawing (W), Wiring diagrams (S) and Connector layout (K)

K 320



Flat plug (DIN 46244) 6,3x0,8 mating with receptacle housing part#180907, drwg# C-180907& Receptacles for tabs, conductor cross section 0,5-1,5 sqmm (20-18AWG) part# 925603-x, drwg# 925603 www.tycoelectronics.com

Notes
