

Design Data	
Commutation	Brushed
Direction of rotation	Bi-directional
Bearing type	A:Sleeve - B:Sleeve

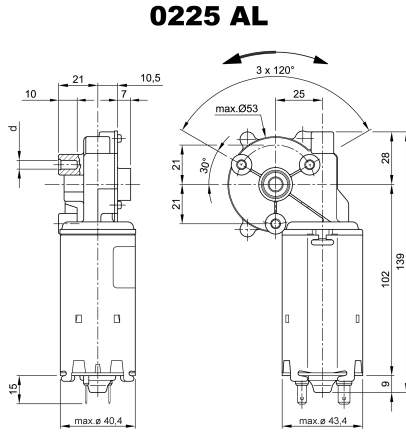
Performance data		
Rated voltage [V]	U_N	24
Nominal torque [Nm]	M_N	1.30
No-load speed [min^{-1}]	n_0	35.0
Nominal power [W]	P_N	3.94
Nominal current [A]	I_N	1.5
Nominal force [kN]	F_N	0.00
Duty cycle	s3	

Sensor data	
Pulses	0
Output channels	0

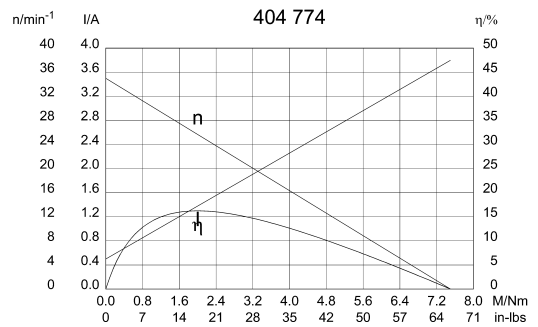
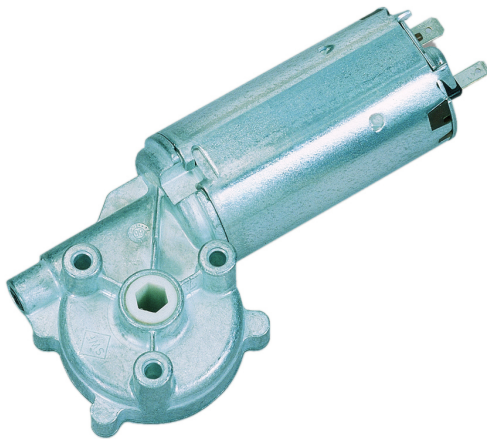
Other data	
Gear ratio	72/1
Gear wheel material	plastic
Suppression components	7,5 μ H, 1nF
Enclosure class	IP 30
Weight [kg]	0.570

Remarks: d = for self-tapping screw M5 DIN 7500

Characteristic curves

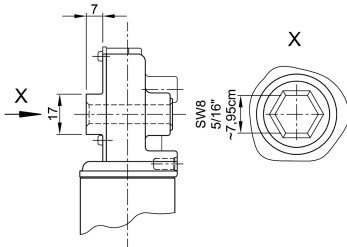


Motor picture

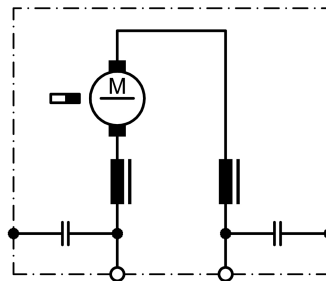


Output shaft drawing (W), Wiring diagrams (S) and Connector layout (K)

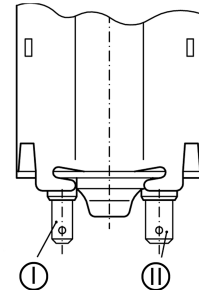
W 229



S 30



K 117



I - Blade terminal ends 4,8 x 0,8 DIN 46 244
 II - Blade terminal ends 6,3 x 0,8 DIN 46 244