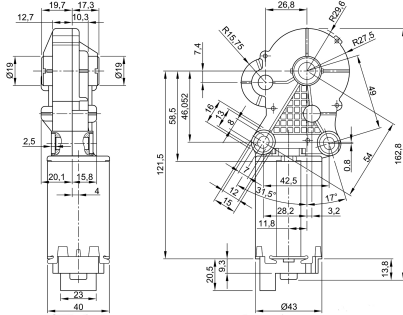


Design Data	
Commutation	Brushed
Direction of rotation	Bi-directional
Bearing type	A:Sleeve - B:Sleeve

Performance data		
Rated voltage [V]	U_N	12
Nominal torque [Nm]	M_N	3.00
No-load speed [min^{-1}]	n_0	21.0
Nominal power [W]	P_N	5.59
Nominal current [A]	I_N	3.5
Nominal force [kN]	F_N	0.00
Duty cycle		s3

0320 BR



Motor picture

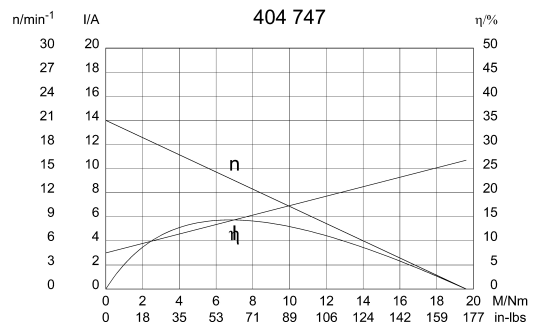


Sensor data	
Pulses	0
Output channels	0

Other data	
Gear ratio	210/1
Gear wheel material	plastic
Suppression components	5,5μH, 47nF, (0,47μF)
Enclosure class	IP 40
Weight [kg]	0.440

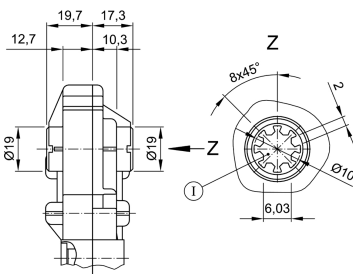
Remarks:

Characteristic curves



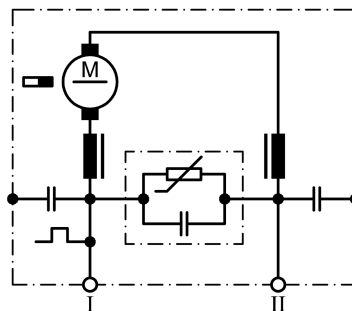
Output shaft drawing (W), Wiring diagrams (S) and Connector layout (K)

W 270



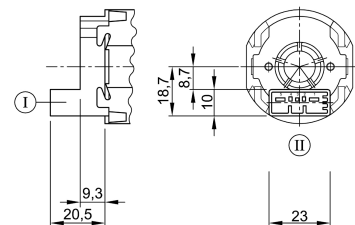
I through profile

S 93



I Terminal 1
 II Terminal 5

K 220



Connector TYCO C-208-15621 (Z) mating with:
 Connector housing 1379217-3 & cover
 1379218-2
www.tycoelectronics.com