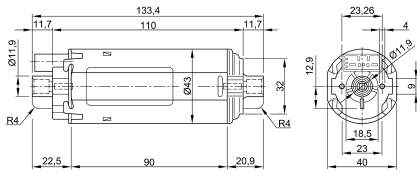


Design Data	
Commutation	Brushed
Direction of rotation	Bi-directional
Bearing type	A:Sleeve - B:Sleeve

Performance data		
Rated voltage [V]	$U_N$	12
Nominal torque [Nm]	$M_N$	0.10
No-load speed [ $\text{min}^{-1}$ ]	$n_0$	2,700.0
Nominal power [W]	$P_N$	21.2
Nominal current [A]	$I_N$	3.0
Nominal force [kN]	$F_N$	0.00
Duty cycle		s3

### 0220 F



Sensor data	
Pulses	0
Output channels	0

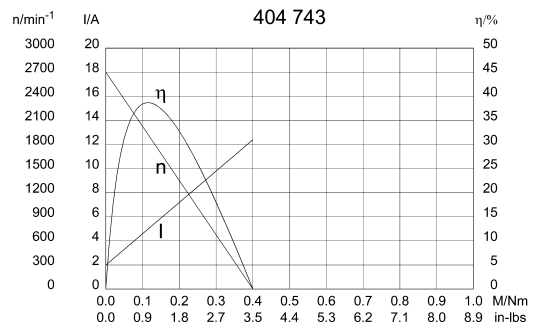
Other data	
Gear ratio	
Gear wheel material	
Suppression components	2,5 $\mu$ H, 47nF ( )
Enclosure class	IP 40
Weight [kg]	0.560

Remarks:

### Motor picture

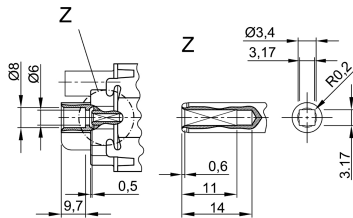


### Characteristic curves

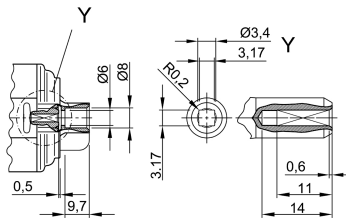


### Output shaft drawing (W), Wiring diagrams (S) and Connector layout (K)

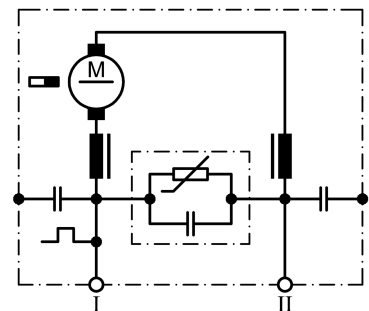
#### W 266



#### W 267



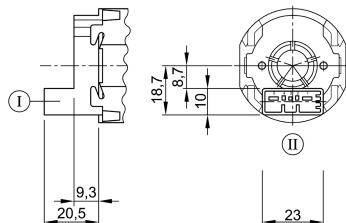
#### S 93



I Terminal 1  
 II Terminal 5

Output shaft drawing (W), Wiring diagrams (S) and Connector layout (K)

### K 220



Connector TYCO C-208-15621 (Z) mating with:  
Connector housing 1379217-3 & cover  
1379218-2  
[www.tycoelectronics.com](http://www.tycoelectronics.com)

#### Notes

---

---

---

---

---

---

---

---

---

---

---

---

---

---

---

---

---

---

---

---

---

---

---