

Design Data	
Commutation	Brushed
Direction of rotation	Bi-directional
Bearing type	A:Ball - B:Sleeve

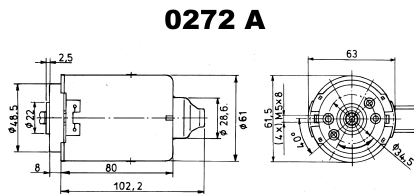
Performance data		
Rated voltage [V]	U_N	24
Nominal torque [Nm]	M_N	0.12
No-load speed [min^{-1}]	n_0	3,800.0
Nominal power [W]	P_N	43.9
Nominal current [A]	I_N	3.0
Nominal force [kN]	F_N	0.00
Duty cycle		s1

Sensor data	
Pulses	0
Output channels	0

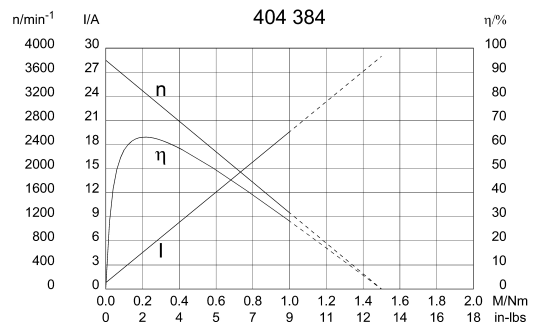
Other data	
Gear ratio	
Gear wheel material	
Suppression components	5 μ H, 1nF
Enclosure class	IP 30
Weight [kg]	0.900

Remarks: 4 start worm

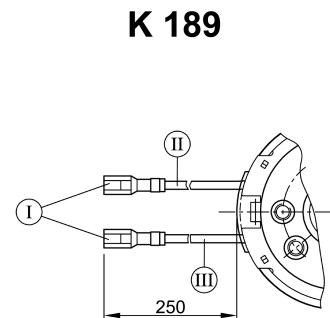
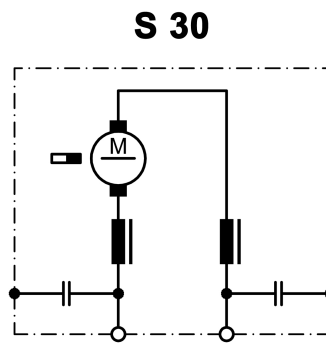
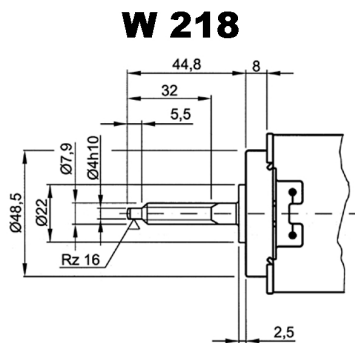
Characteristic curves



Motor picture



Output shaft drawing (W), Wiring diagrams (S) and Connector layout (K)



no of starts 4 ,lead angle 30°31'35", pressure angle: 15°, pitch 11.6707 mm (0,459"), module 0,8

I Receptacle for tabs 2,8 x 0,8 DIN 46 247
 II red
 III black