

| Design Data | |
|-----------------------|---------------------|
| Commutation | Brushed |
| Direction of rotation | Bi-directional |
| Bearing type | A: Ball - B: Sleeve |

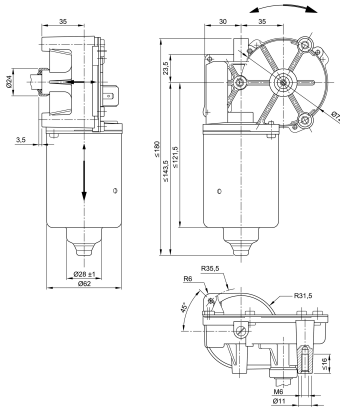
| Performance data | | |
|-------------------------------------|-------|------|
| Rated voltage [V] | U_N | 24 |
| Nominal torque [Nm] | M_N | 5.00 |
| No-load speed [min^{-1}] | n_0 | 40.0 |
| Nominal power [W] | P_N | 16.8 |
| Nominal current [A] | I_N | 3.0 |
| Nominal force [kN] | F_N | 0.00 |
| Duty cycle | s1 | |

| Sensor data | |
|-----------------|---|
| Pulses | 0 |
| Output channels | 0 |

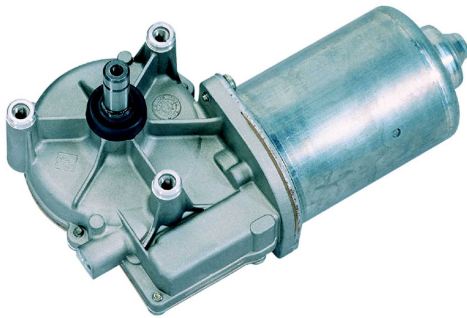
| Other data | |
|------------------------|---------|
| Gear ratio | 78/1 |
| Gear wheel material | Plastic |
| Suppression components | |
| Enclosure class | IP40 |
| Weight [kg] | 1.200 |

Remarks:

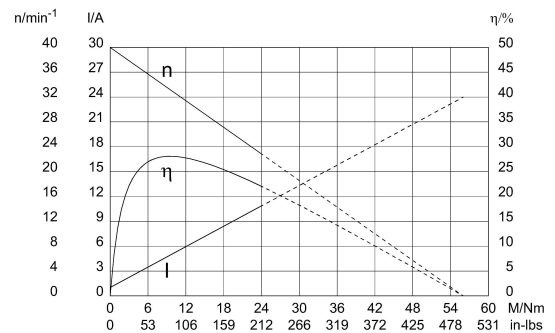
0277 AR



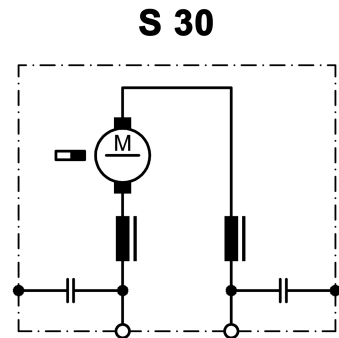
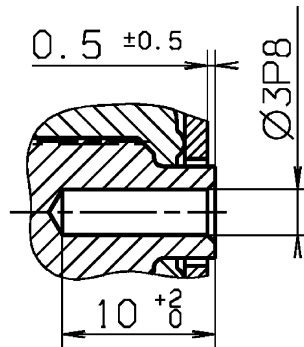
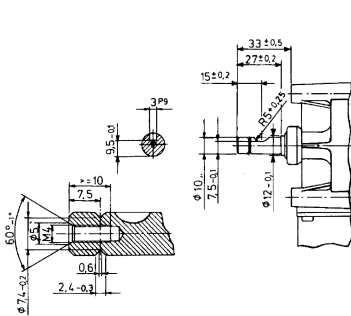
Motor picture



Characteristic curves

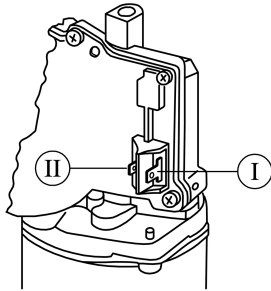


Output shaft drawing (W), Wiring diagrams (S) and Connector layout (K)



Output shaft drawing (W), Wiring diagrams (S) and Connector layout (K)

K 144



- I Blade terminal ends 6,3 x 0,8 DIN 46 244
- II Blade terminal ends 4,8 x 0,8 DIN 46 244

Notes
