

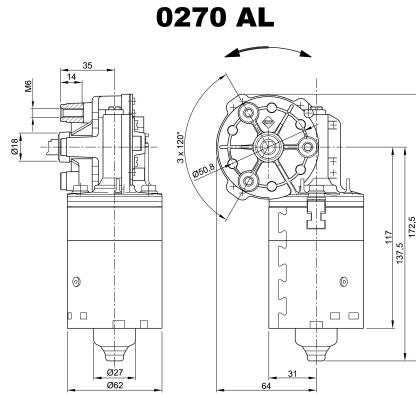
Design Data	
Commutation	Brushed
Direction of rotation	Bi-directional
Bearing type	

Performance data		
Rated voltage [V]	U_N	12
Nominal torque [Nm]	M_N	1.00
No-load speed [min^{-1}]	n_0	260.0
Nominal power [W]	P_N	23.0
Nominal current [A]	I_N	10.0
Nominal force [kN]	F_N	0.00
Duty cycle	s1	

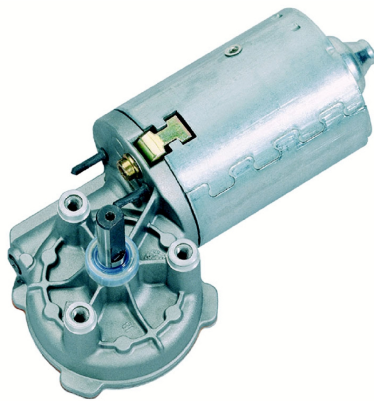
Sensor data	
Pulses	0
Output channels	0

Other data	
Gear ratio	41/4
Gear wheel material	Plastic
Suppression components	
Enclosure class	
Weight [kg]	1.200

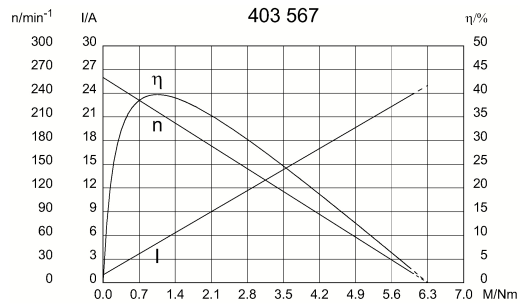
Remarks:



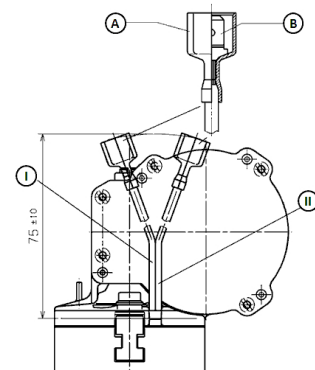
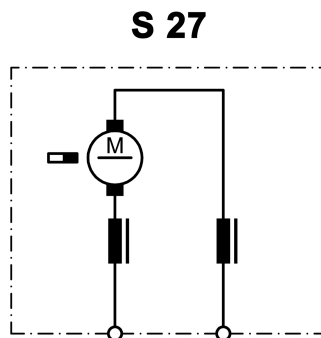
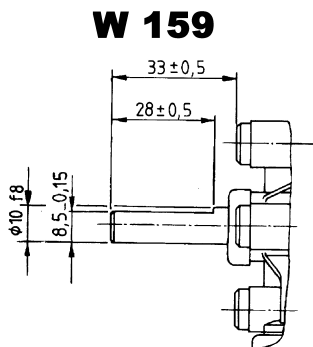
Motor picture



Characteristic curves



Output shaft drawing (W), Wiring diagrams (S) and Connector layout (K)



A: housing MST AMP No. 2-521055-2
 B: spade terminals 6.3 x 0.8 DIN 46 244
 I: red
 II: green