

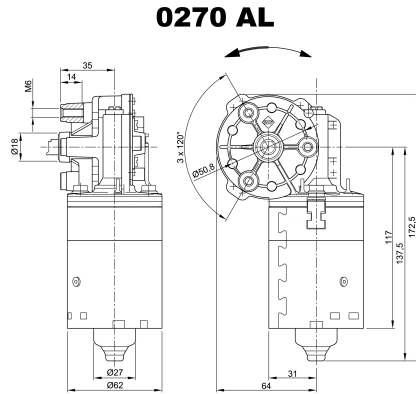
| Design Data | |
|-----------------------|---------------------|
| Commutation | Brushed |
| Direction of rotation | Bi-directional |
| Bearing type | A: Ball - B: Sleeve |

| Performance data | | |
|-------------------------------------|-------|-------|
| Rated voltage [V] | U_N | 36 |
| Nominal torque [Nm] | M_N | 2.00 |
| No-load speed [min^{-1}] | n_0 | 100.0 |
| Nominal power [W] | P_N | 18.3 |
| Nominal current [A] | I_N | 3.0 |
| Nominal force [kN] | F_N | 0.00 |
| Duty cycle | s1 | |

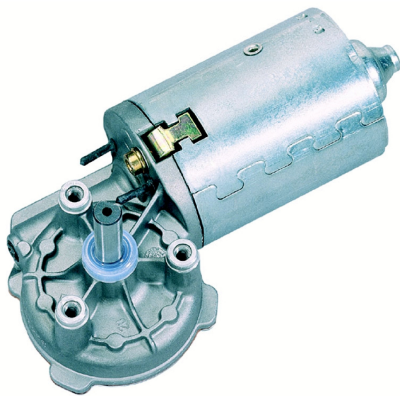
| Sensor data | |
|-----------------|---|
| Pulses | 0 |
| Output channels | 0 |

| Other data | |
|------------------------|------------------|
| Gear ratio | 53/2 |
| Gear wheel material | Plastic |
| Suppression components | 4.7 μ H, 1nF |
| Enclosure class | IP30 |
| Weight [kg] | 1.200 |

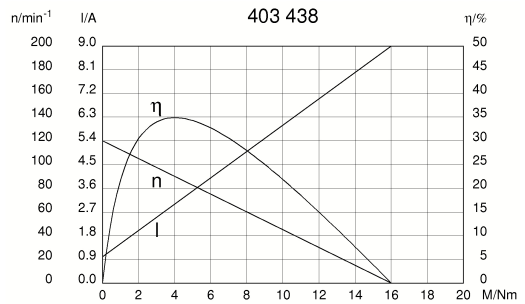
Remarks:



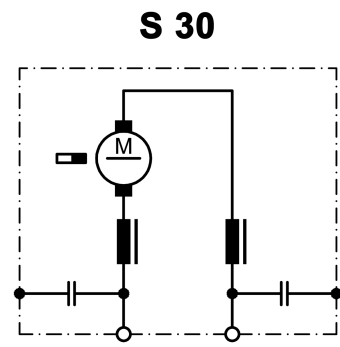
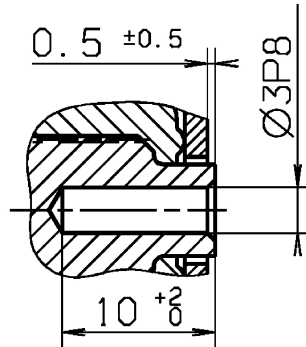
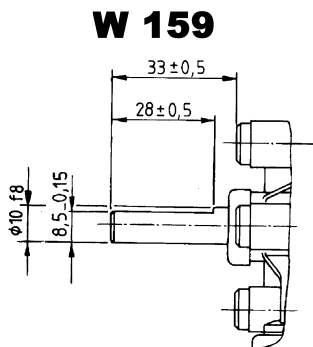
Motor picture



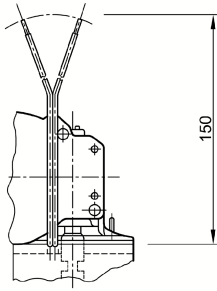
Characteristic curves



Output shaft drawing (W), Wiring diagrams (S) and Connector layout (K)



Output shaft drawing (W), Wiring diagrams (S) and Connector layout (K)



Notes
